

Secure Your Computer Equipment Against Earthquake Damage

Safety First

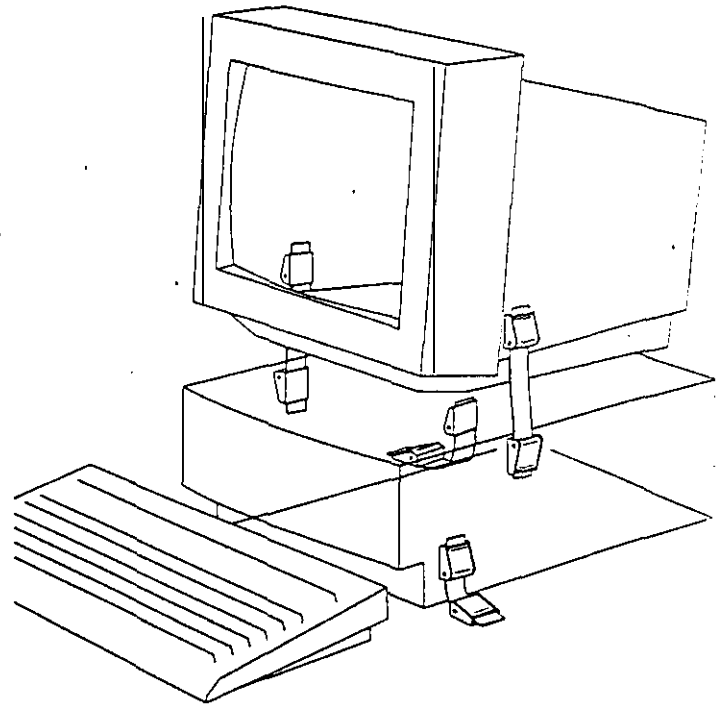
Computers crashing to the floor has been a common occurrence in recent earthquakes. Simple steps can be taken to fasten computer equipment to the desktop without damaging the equipment or the furniture.

The VersaBUCKLE fastening system

is ideal for protecting equipment in your busy office where items are moved or serviced often. Installation is as easy as clean, peel, and stick. To move the equipment, simply flip down the buckle locking lever and pick up the item. The adhesive used is 3M VHB (very high bond) foam adhesive tape. The 3M VHB has an application temperature tolerance of 50° to 160° Fahrenheit. The thickness of the tape is .045 inches. 3M's testing indicates the tensile strength is 80 pounds per square inch. This is the highest rating for a 3M tape of this thickness. The buckles are made to meet our specifications. Each buckle uses a piece of tape that is 1" x 1-1/4", giving it a tested strength of 100 pounds.

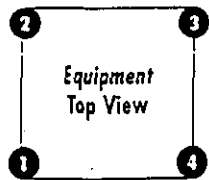
Relocation

If you need to relocate the fastened item to another area, simply remove the VersaBUCKLEs from the desktop using the Pry Bar Removal Tool (part # 5740). Remove the 3M VHB tape from the desktop VersaBUCKLES by peeling it off. Put new 3M Relocation Tape Pads (part # 5720) on the desktop VersaBUCKLES and reapply at the new location. The cost of the relocation tape to move one item is 36 cents.



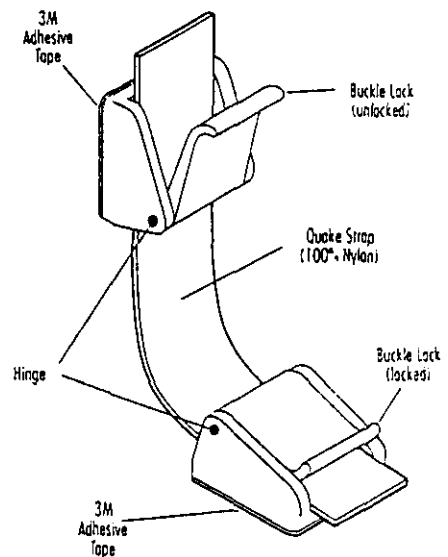
Two point fastening system

VersaBUCKLE fasteners use the two point fastening system. Fasteners are placed in opposing corners on items under 50 pounds.



Four point fastening system

For items weighing 50 to 100 pounds, use two VersaBUCKLE kits with the four point fastening system. For items weighing over 100 pounds, see StrapTRAC in catalog.



For A Free Catalog & More Information, Contact
Q-Safety, Inc. at 800-997-2338 or info@qsafety.com